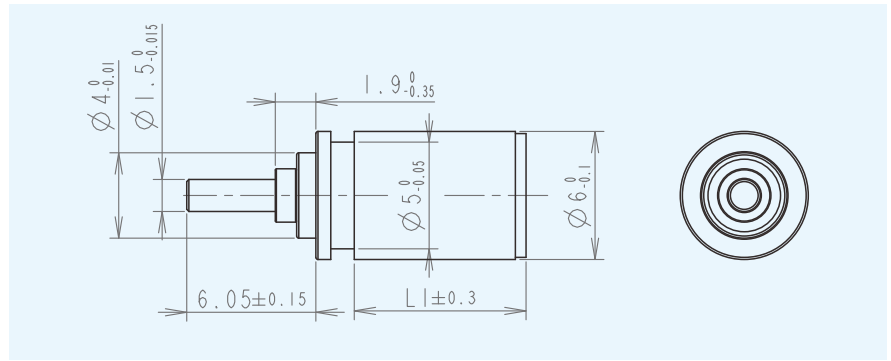


ZWSMD006006

Φ6mm Planetary Gearbox



Gearbox Technical Data

	1	2	3	4	5
Number of stages	1	2	3	4	5
Max. continuous torque (Nm)	0.002	0.005	0.01	0.03	0.03
Max. intermittent torque (Nm)	0.005	0.01	0.02	0.06	0.06
Reduction Ratio	3.9	15	57	221	854
Outer Diameter (mm)	6	6	6	6	6
Gearbox Length L1(mm)	5.8	8.2	10.6	13	15.4
Max. efficiency (%)	83	69	57	65	47
Recommended temperature range (°C)	-30~+85	-30~+85	-30~+85	-30~+85	-30~+85
Max. Weight (G)	1.7	2.1	2.5	2.9	3.3
Max. continuous transmittable power (W)	0.63	0.39	0.2	0.15	0.04
Max. intermittent transmittable power (W)	0.79	0.49	0.25	0.18	0.05
Average backlash no load (°)	1.8	2	2.2	2.5	2.8
Max. axial load (dynamic) (N)	5	5	5	5	5
Max. radial load (4mm from flange) (N)	5	6	7	8	8
Bearing at output	ball bearing	ball bearing	ball bearing	ball bearing	ball bearing
Axial play (mm)	0~0.1	0~0.1	0~0.1	0~0.1	0~0.1

* Note: Data above does not include the motor. Specifications can be customized per customer requirements.

Modular assembly

Integrated Product	Part No.	Number of stages				
		1	2	3	4	5
		Length(mm)				
DC Motor	/					
Brushless Motor	MO0623 Φ6mm brushless coreless motor	28	30	33	35	37
Encoder	CB-ST-6	Magnetic Encoder				

Product Specifications

PART NO.	Rated Voltage (V)	No-Load Data		Load Data			Overall Length (mm)	Gearbox Rated Allowable Torque (NM)	Gearbox Intermittent Allowable Torque (NM)	Reduction Ratio	Gearbox Length L1(mm)
		No-Load Speed (rpm)	No-Load Current (mA max)	Load Speed (rpm)	Load Current (mA Max)	Torque (N.m)					
ZWSMD006006-04-X	12	16437	150	12133	350	0.002	28.8	0.002	0.005	3.9	5.8
ZWSMD006006-15-X	12	4261	150	3146	355	0.005	31.2	0.005	0.01	14.9	8.2
ZWSMD006006-57-X	12	1105	160	816	360	0.010	33.6	0.01	0.02	57.4	10.6
ZWSMD006006-221-X	12	286	170	211	365	0.030	36	0.03	0.06	221.3	13
ZWSMD006006-854-X	12	74	180	55	370	0.030	38.4	0.03	0.06	853.7	15.4